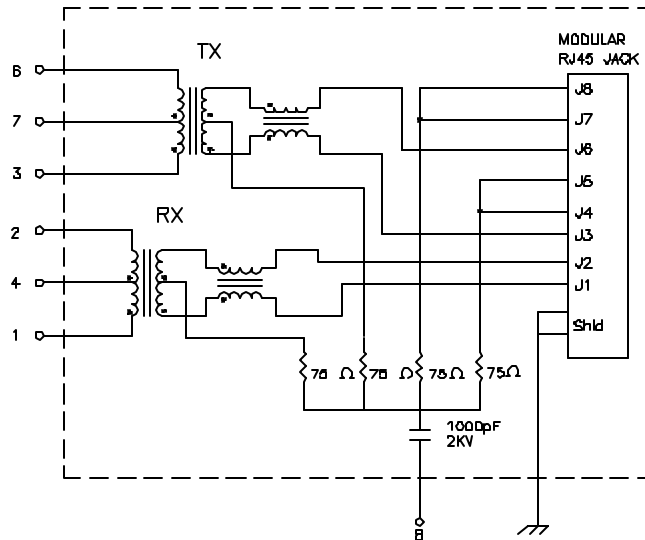


Schematic: (one of two)



Electrical Specifications: 25°C

TURNS RATIO: TX 1CT:1CT±3%, RX 1CT:1CT±3%
 Isolation Voltage: 1500 Vrms (INPUT to OUTPUT)
 UTP SIDE OCL: 350uH Min @100KHz 100mV 8mADC
 Rise Time (10–90%): 2.5ns Typical
 Insertion Loss (1–100MHz): –1.0dB Maximum
 Insertion Loss (100MHz–125MHz): –1.5dB Typ.
 Return Loss: –20dB Typ. @30MHz
 –12dB Typ @80MHz
 Crosstalk 32MHz: 40.0dB Min
 62MHz: 35.0dB Min
 100MHz: 30.0dB Min
 CMRR 100KHz–100MHz: 35.0dB Typ

Notes:

1. Solderability: Leads shall meet MIL-STD-202G, Method 208H for solderability.
2. Flammability: UL94V-0
3. ASTM oxygen index: > 28%
4. Insulation System: Class F 155°C, UL file E151556
5. Operating Temperature Range: All listed parameters are to be within tolerance from 0°C to +70°C
6. Storage Temperature Range: –55°C to +125°C
7. Aqueous wash compatible
8. Electrical and mechanical specifications 100% tested
9. RoHS Compliant Component

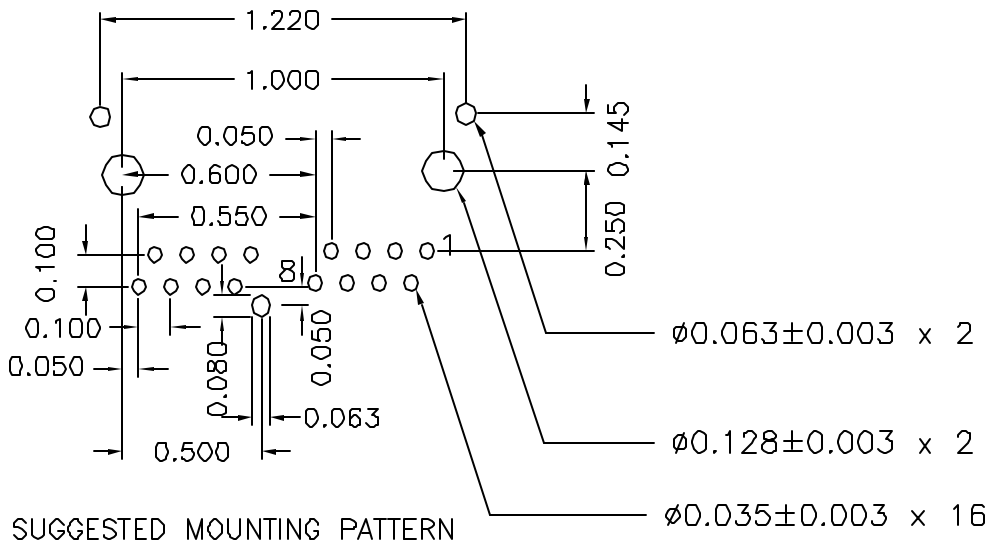
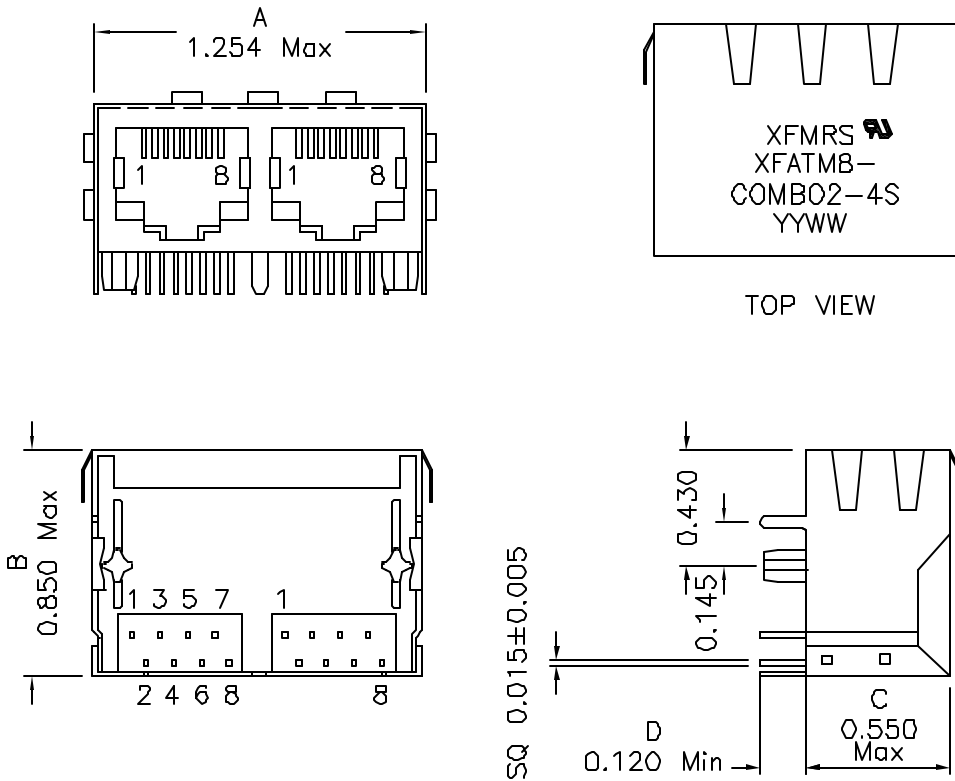
DOC. REV. B/2

XFMRs Inc. www.XFMRS.com	Title: 2 PORT COMBO SERIES		
	UNLESS OTHERWISE SPECIFIED		P/N: XFATMB-COMBO2-4S
TOLERANCES: .xxx ±0.010	DWN.	Juan Mao	Mar-26-08
Dimensions in Inch	CHK.	YK Liao	Mar-26-08
SHEET 1 OF 2	APP.	BW	Mar-26-08

PROPRIETARY:

Document is the property of XFMRs Group & is not allowed to be duplicated without authorization.

Mechanical Dimensions: (FOR COMB02-4S)



DOC REV: B/2

XFMR8 Inc. www.XFMR8.com	Title: Mechanical Dimensions For COMB02-4S Series	
	P/N: XFATM8-COMB02-4S	REV. B
UNLESS OTHERWISE SPECIFIED TOLERANCES: .xxx ±0.010 Dimensions in Inch	DWN.	Juan Mao Mar-26-08
	CHK.	YK Liao Mar-26-08
	APP.	BW Mar-26-08
SHEET 2 OF 2		

PROPRIETARY:

Document is the property of XFMR8 Group & is not allowed to be duplicated without authorization.